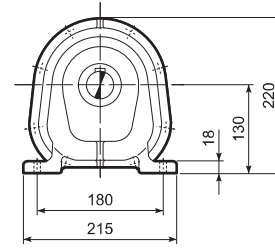
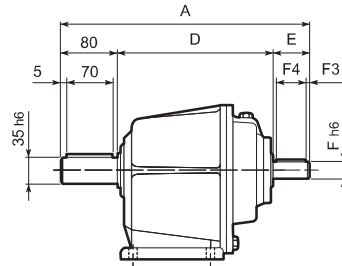
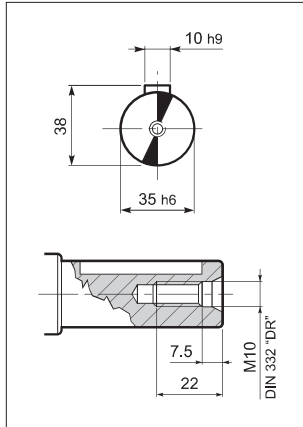
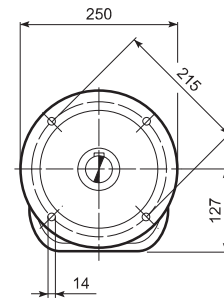
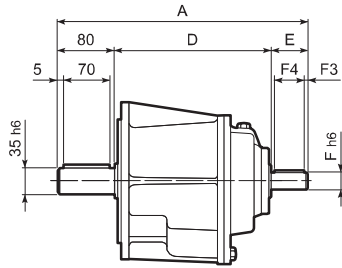
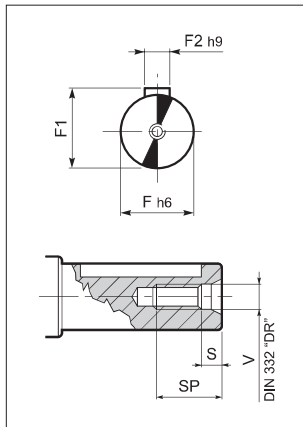


OUTPUT

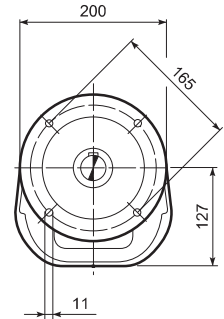
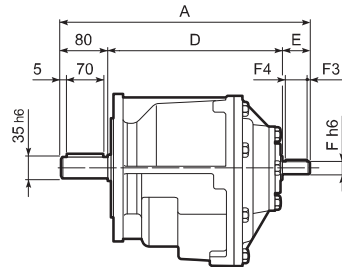


**P
DP**

INPUT



**F
DF**



**R
DR**

	AS 35											
	A	D	E	F	F1	F2	F3	F4	V	S	SP	Kg
AS 35 P_HS	349	219	50	24	27.3	8	5	40	M8	6	19	24
AS 35 DP_HS	334	214	40	19	21.8	6	5	30	M6	5	16	23.5
AS 35 F_HS	349	219	50	24	27.3	8	5	40	M8	6	19	24
AS 35 DF_HS	334	214	40	19	21.8	6	5	30	M6	5	16	23.5
AS 35 R_HS	376	246	50	24	27.3	8	5	40	M8	6	19	23.5
AS 35 DR_HS	361	241	40	19	21.8	6	5	30	M6	5	16	23